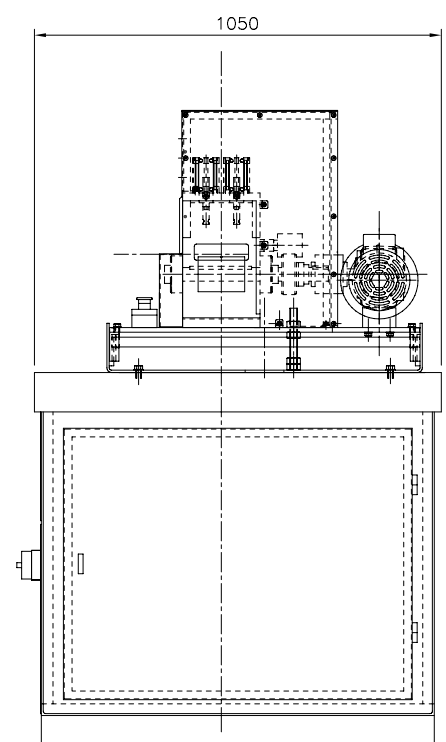
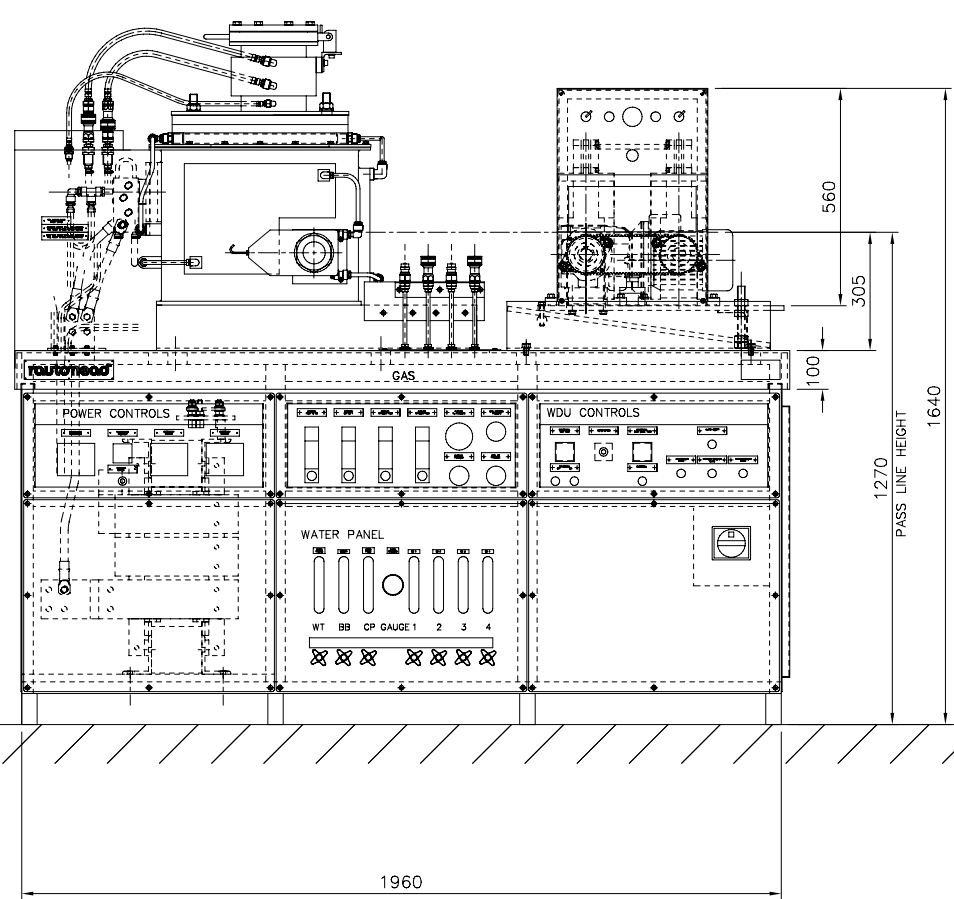
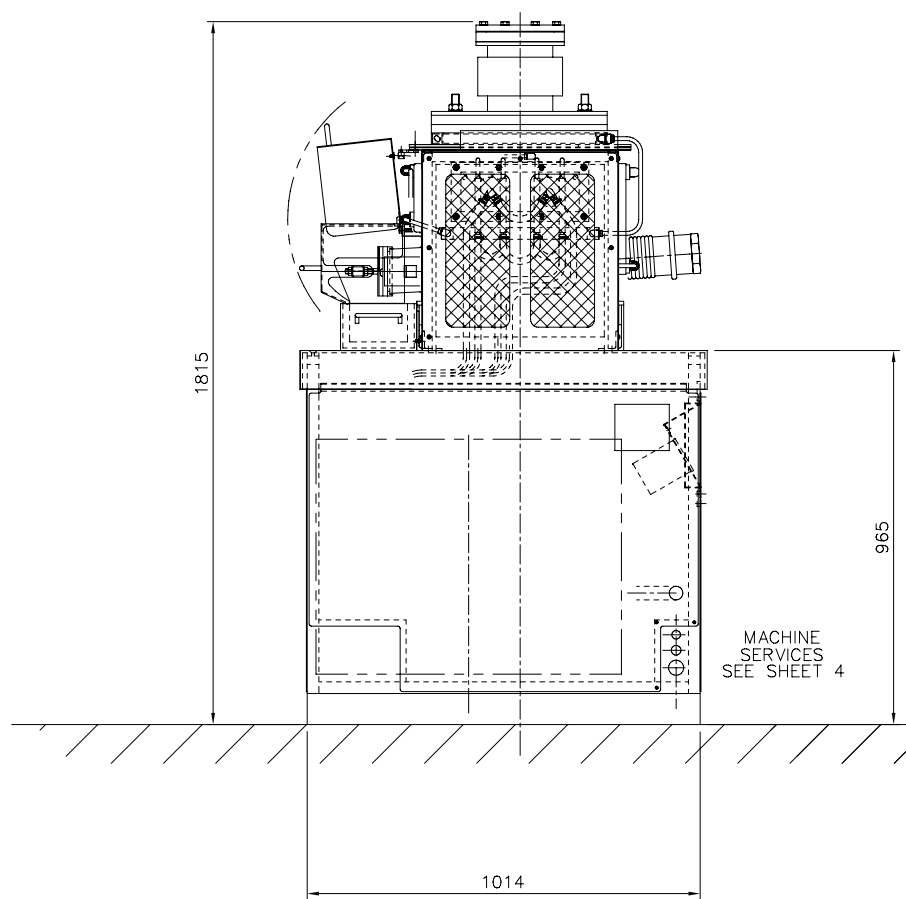
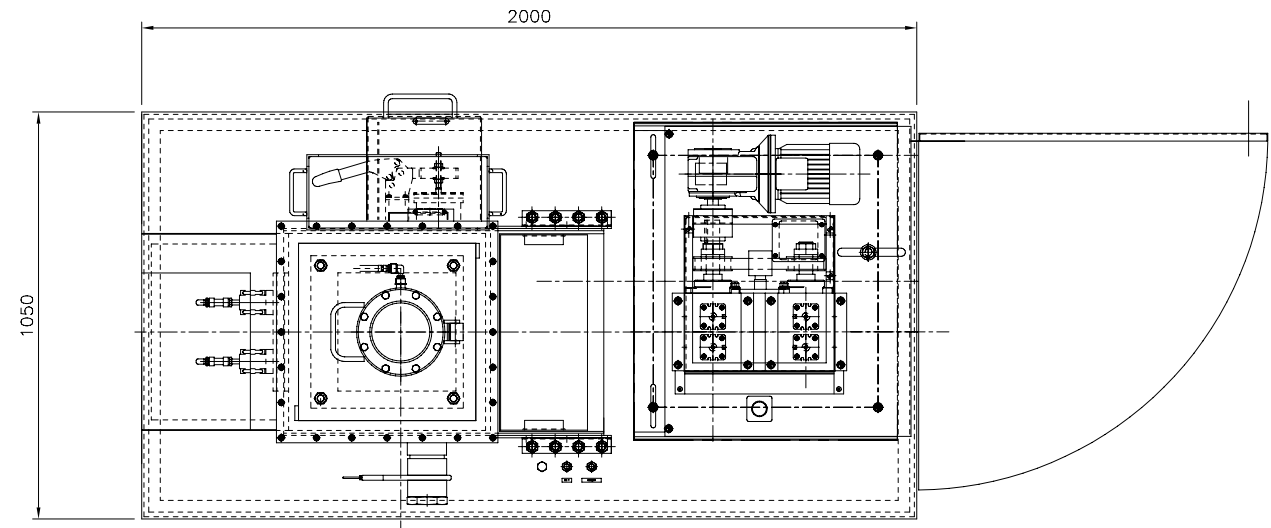


RD16164-2A

3rd ANGLE PROJECTION  DO NOT SCALE : WHEN IN DOUBT ASK

ISSUE	ECN	CHANGE	DATE	BY
A	-	EMERGENCY STOP ADDED TO WDU, PIPEWORK SHOWN AS BUILT RL0610	21.11.06	A.W.T.



**rautomead**  
 © THIS DRAWING IS THE PROPERTY OF RAUTOMEAD LIMITED. IT MUST NOT BE REPRODUCED IN ANY WAY WITHOUT PERMISSION. COPIES OF THIS DRAWING MUST BE RETURNED UPON REQUEST.

MATERIAL:	WEIGHT: 2000 kg	DRAWN BY	A.W.T.
FINISH :-		DATE	09.08.06
		SCALE	1:20
GENERAL TOLERANCE N/A		DIMENSIONS IN mm	USED ON

TITLE RMJ/H005 GENERAL ASSY LEFT HAND CONTROLS  
 9250 TYPE WDU AC DIRECT CONTROL DRIVE  
 RIGHT HAND DUMP, LEFT HAND SIGHT GLASS

DO NOT SCALE
DWG No RD16164-2A
SHEET 2 OF 5